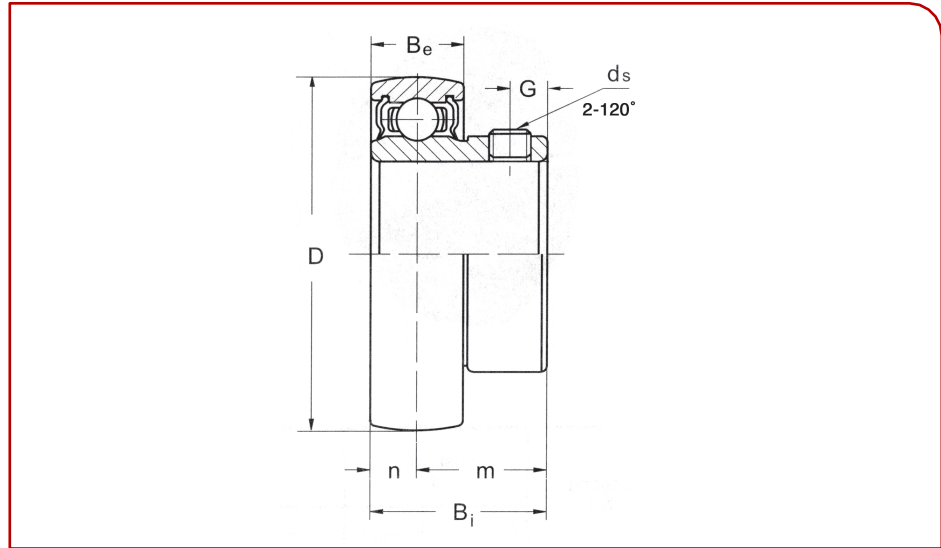


## SB 200 Series Light Duty - Set Screw Locking



| Designation | Shaft Dia. |    | Dimensions (mm) |    |    |     |      |     |            | Basic load Ratings N |           | Weight |      |
|-------------|------------|----|-----------------|----|----|-----|------|-----|------------|----------------------|-----------|--------|------|
|             | In.        | mm | D               | Bi | Be | n   | m    | G   | ds         | dynamic C            | static Co | kg     | lbs  |
| SB 201      |            | 12 |                 |    |    |     |      |     |            |                      |           | 0.10   | 0.22 |
| 201-08      | 1/2        |    |                 |    |    |     |      |     |            |                      |           | 0.10   | 0.22 |
| 202         |            | 15 | 40              | 22 | 12 | 6.0 | 16.0 | 4.5 | 10-32UNF   | 9600                 | 4400      | 0.09   | 0.20 |
| 202-10      | 5/8        |    |                 |    |    |     |      |     | M5x0.8     |                      |           | 0.09   | 0.20 |
| 203         |            | 17 |                 |    |    |     |      |     |            |                      |           | 0.08   | 0.18 |
| SB 204      |            | 20 | 47              | 25 | 14 | 7.0 | 18.0 | 5   | 1/4-28UNF  | 12890                | 6490      | 0.13   | 0.29 |
| 204-12      | 3/4        |    |                 |    |    |     |      |     | M6x1.0     |                      |           | 0.13   | 0.29 |
| SB 205      |            | 25 |                 |    |    |     |      |     |            |                      |           | 0.16   | 0.35 |
| 205-14      | 7/8        |    | 52              | 27 | 15 | 7.5 | 19.5 | 5.5 | 1/4-28UNF  | 14000                | 7560      | 0.18   | 0.40 |
| 205-15      | 15/16      |    |                 |    |    |     |      |     | M6x1.0     |                      |           | 0.18   | 0.40 |
| 205-16      | 1          |    |                 |    |    |     |      |     |            |                      |           | 0.16   | 0.35 |
| SB 206      |            | 30 |                 |    |    |     |      |     |            |                      |           | 0.25   | 0.55 |
| 206-17      | 1 1/16     |    |                 |    |    |     |      |     |            |                      |           | 0.27   | 0.60 |
| 206-18      | 1 1/8      |    | 62              | 30 | 16 | 8.0 | 22.0 | 6   | 1/4-28UNF  | 19510                | 11160     | 0.26   | 0.57 |
| 206-19      | 1 3/16     |    |                 |    |    |     |      |     | M6x1.0     |                      |           | 0.25   | 0.55 |
| 206-20      | 1 1/4S     |    |                 |    |    |     |      |     |            |                      |           | 0.24   | 0.53 |
| SB 207      |            | 35 |                 |    |    |     |      |     |            |                      |           | 0.38   | 0.84 |
| 207-20      | 1 1/4      |    |                 |    |    |     |      |     |            |                      |           | 0.43   | 0.95 |
| 207-21      | 1 5/16     |    | 72              | 32 | 17 | 8.5 | 23.5 | 6   | 1/4-28UNF  | 25640                | 15330     | 0.42   | 0.93 |
| 207-22      | 1 3/8      |    |                 |    |    |     |      |     | M6x1.0     |                      |           | 0.38   | 0.84 |
| 207-23      | 1 7/16     |    |                 |    |    |     |      |     |            |                      |           | 0.31   | 0.68 |
| SB 208      |            | 40 |                 |    |    |     |      |     |            |                      |           | 0.50   | 1.10 |
| 208-24      | 1 1/2      |    | 80              | 34 | 18 | 9.0 | 25   | 7   | 5/16-24UNF | 28890                | 17110     | 0.52   | 1.15 |
| 208-25      | 1 9/16     |    |                 |    |    |     |      |     | M8x1.0     |                      |           | 0.48   | 1.06 |

To order relubricatable type add suffix "G"