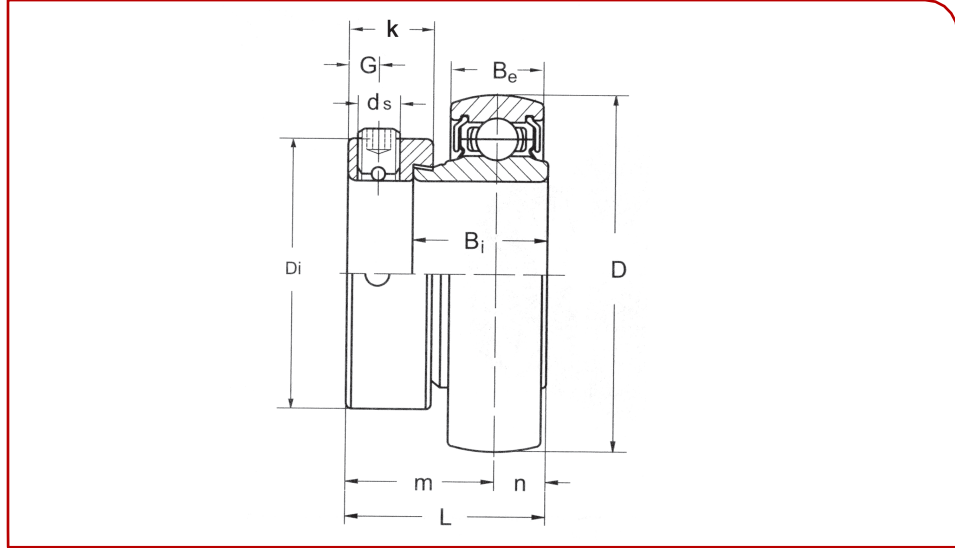




Manitou Mfg. Co.

STAMPED STEEL BEARING HOUSING SPECIALISTS

SA 200 Series Light Duty, Eccentric Locking Collar



Designation	Shaft Dia.		Dimensions (mm)										Basic load Ratings N		Weight		
	In.	mm	D	L	Bi	Be	n	m	Di	K	G	ds	dynamic C	static Co	kg	lbs	
SA 201		12														0.12	0.26
201-08	1/2															0.12	0.26
202		15	40	28.6	19	12	6	22.6	29	13.5	4.8	1/4-28UNF M6x1.0	9600	4400	0.11	0.24	
202-10	5/8														0.11	0.24	
203		17													0.10	0.22	
SA 204		20													0.17	0.37	
204-12	3/4		47	31	21.5	14	7	24	33.0	13.5	4.8	1/4-28UNF M6x1.0	12890	6490	0.16	0.35	
SA 205		25													0.20	0.44	
205-14	7/8														0.22	0.49	
205-15	15/16		52	31	21.5	15	7.5	23.5	38.0	13.5	4.8	1/4-28UNF M6x1.0	14000	7560	0.21	0.46	
205-16	1														0.19	0.42	
SA 206		30													0.31	0.68	
206-17	1 1/16														0.33	0.73	
206-18	1 1/8		62	35.7	23.8	16	8	27.7	44.5	15.9	6.0	5/16-24UNF M8x1.0	19510	11160	0.33	0.73	
206-19	1 3/16														0.30	0.66	
206-20	1 1/4S														0.28	0.62	
SA 207		35													0.49	1.08	
207-20	1 1/4														0.52	1.15	
207-21	1 5/16		72	38.9	25.4	17	8.5	30.4	55.5	17.5	6.8	5/16-24UNF M8x1.0	25650	15340	0.50	1.10	
207-22	1 3/8														0.47	1.04	
207-23	1 7/16														0.45	0.99	
SA 208		40													0.66	1.46	
208-24	1 1/2		80	43.7	30.2	18	9	34.7	60	18.3	6.8	5/16-24UNF M8x1.0	28890	17110	0.64	1.41	
208-25	1 9/16														0.61	1.34	
SA 209		45													0.65	1.43	
209-26	1 5/8														0.76	1.68	
209-27	1 11/16		85	43.7	30.2	19	9.5	34.2	63.5	18.3	6.8	5/16-24UNF M8x1.0	32670	18220	0.73	1.61	
209-28	1 3/4														0.70	1.54	
SA 210		50													0.70	1.54	
210-30	1 7/8														0.83	1.83	
210-31	1 15/16		90	43.7	30.2	20	10	33.7	69.8	18.3	6.8	5/16-24UNF M8x1.0	35120	20850	0.79	1.74	
210-32	2S														0.74	1.63	
SA 211		55													0.77	1.70	
211-32	2														0.96	2.12	
211-34	2 1/8		100	48.4	32.5	24	12	36.4	76.2	20.6	8	3/8-24UNF M10x1.25	43340	26000	0.87	1.92	
211-35	2 3/16														0.81	1.79	

To order relubricatable type add suffix "G"